

Quality Healthcare Seating Products

# CHAMPION

1-800-998-5018

[www.championchair.com](http://www.championchair.com)



# CHAMPION™

Quality Healthcare Seating Products

## Concord Series

MEDICAL RECLINER

RATED UP TO 275 LBS.

Part #220 MANUAL RECLINER



ARMS  
OPEN  
180°

Shown with optional cupholder.

The Concord treatment recliner features a user-friendly, push-back reclining mechanism, allowing patients to easily adjust to three positions. Trendelenburg comes standard with a convenient foot-release actuator on both sides. With many standard features, the Concord also offers a great value in a versatile recliner. The Concord is ideal for use in oncology, surgery centers, dialysis, infusion therapies, patient rooms and other treatment needs.



Swing-away arms make transferring easier.



The trendelenburg position is a standard feature, as well as an all steel, powder-coated frame for durability.

### STANDARD FEATURES

Swing-away arms

Trendelenburg

Three-position recliner

Fold-away side table (one)

Push handle

3" thermoplastic casters

Foot-release  
trendelenburg



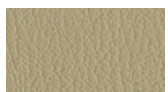
Push handle



Front-locking  
casters



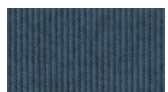
### STANDARD VINYL SELECTION



Natural  
T09



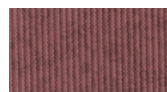
Aquamarine  
T19



Bonnie Blue  
T21



Iced Mint  
T26



Tearose  
T43



Colonial Blue  
T45



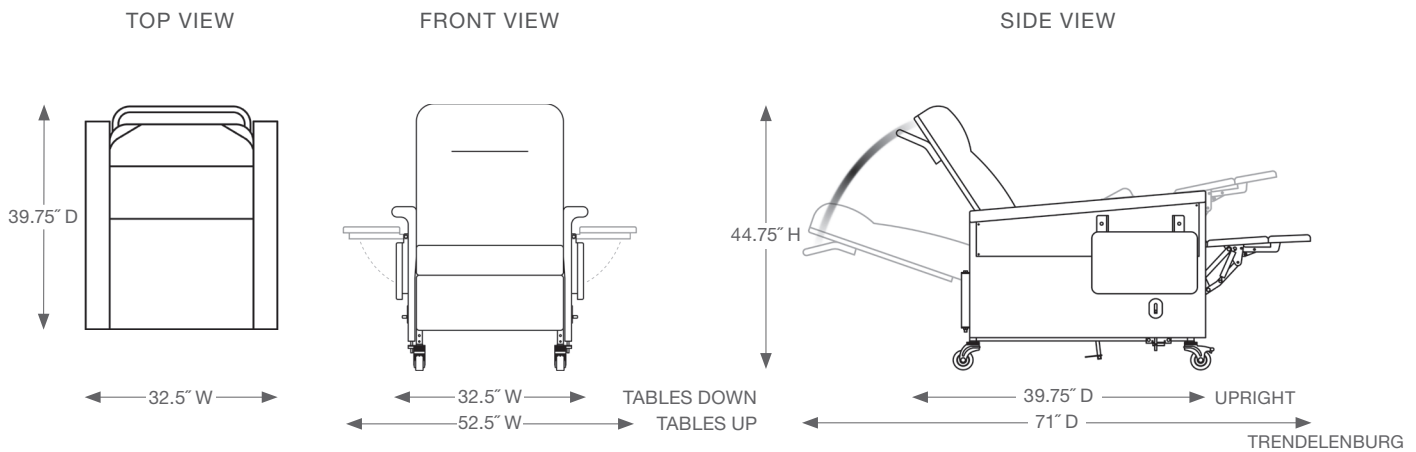
Gray  
T56



Cranberry  
T96

Printed color swatches may not be an exact match to actual fabrics and are enlarged to show detail.

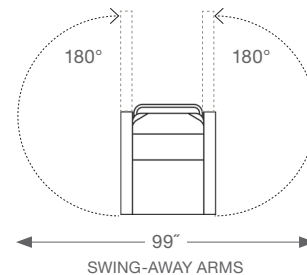
## SPACE REQUIREMENTS



## SPECIFICATIONS

Weight capacity	275 lbs.
Back height (from floor/seat)	44.75"/27.75"
Overall width (2 tables down/up)	32.5"/52.5"
Seat width	24.75"
Arm height (from floor, front/back)	27.5"/24.375"
Seat height/depth	21"/19"
Upright overall depth (w/handle)	39.75"
Trendelenburg depth	71"
Thermoplastic casters	3"

## TOP VIEW WITH SWING-AWAY ARMS



## OPTIONS

Additional fold-away side table (S7)

Cupholder – on all tables (C), on one of two tables, specify (CUP-HOLDER L) or (CUP-HOLDER R)

CAL 133 fire barrier (3)\*

Vinyl upgrades

Champion, non-standard vinyl (NSV)\*\*

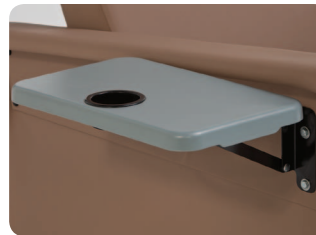
Customer's own material (COM)

PVC-free material

Antimicrobial material

\* Contact Champion for a list of fire-tested vinyls.

\*\*For available patterns and colors for non-standard vinyl, please contact your Champion sales representative.



CUPHOLDER



VINYL UPGRADES

## ACCESSORIES

Provide your patient the best care and comfort with cupholders, head pillow/lumbar support, cushion wedge, arm covers, LED reading light, IV pole/bracket or an oxygen tank holder. For a complete list of our

accessories, please see our *Accessories* brochure or ask your Champion sales representative for more information.

# CHAMPION™

Champion Manufacturing, Inc.  
2601 Industrial Parkway, Elkhart, IN 46516

1.800.998.5018  
www.championchair.com

# CHAMPION™

Quality Healthcare Seating Products

## 54 Series

RECLINER/TRANSPORTER

RATED UP TO 300 LBS.

Part #547 MANUAL RECLINER  
Part #54P POWER RECLINER\*



Shown with optional second side table with cup holder.

Patient comfort, ease of use, dependability and long life make our classic 54 Series the “workhorse” recliner/transporter of the industry. Both the Manual and Power chairs are ideal for oncology, surgery, infusion, dialysis therapies, orthopedics, pediatric and long-term care facilities and other treatment needs. The 54 Series is engineered for your most demanding applications, including round-the-clock use and overnight therapies.



All steel, powder-coated frame for durability.

Z-spring construction for greater comfort.

Patients recline easily by themselves.

### STANDARD FEATURES

- Stationary arms

---

- Fold-away side table (one)

---

- Push handle

---

- Retractable foot tray

---

- 5" thermoplastic casters

---

- Wall-hugger mechanism (infinite recline positions)

---

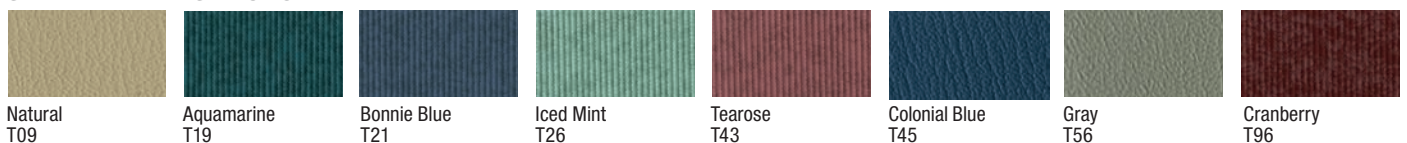
- Thermo-sensitive, pressure-reduction seat foam

---

- Quick-release seat

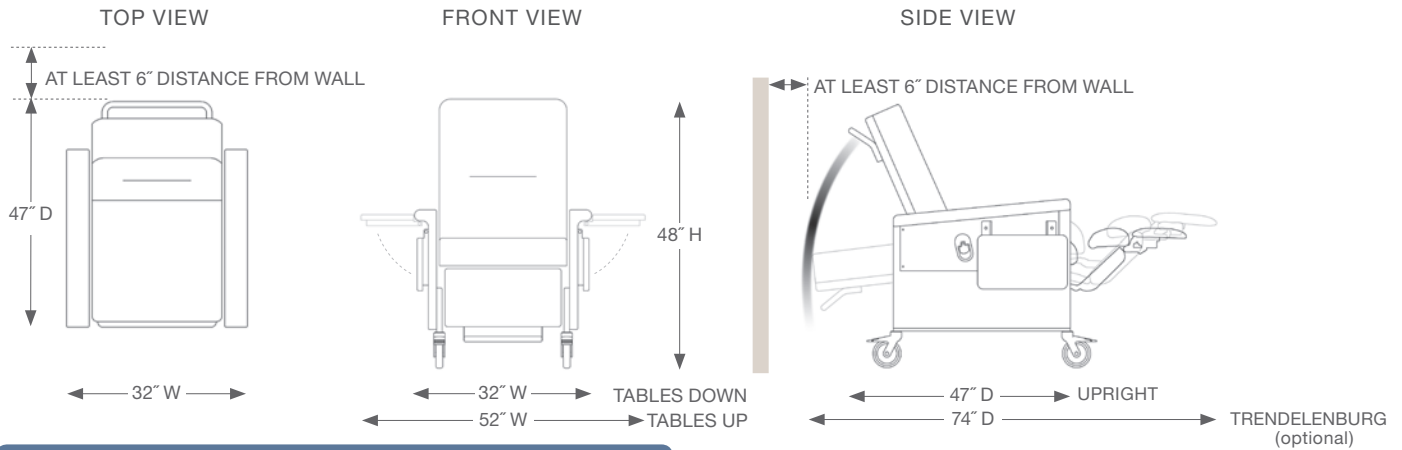


### STANDARD VINYL SELECTION



Printed color swatches may not be an exact match to actual fabrics and are enlarged to show detail.  
\*The 54P (without the heat & massage option) is UL 60601-1 certified.

## SPACE REQUIREMENTS



## SPECIFICATIONS

Weight capacity	300 lbs.
Back height (from floor/seat)	48"/29"
Overall width (2 tables down/up)	32"/52"
Seat width	22.5"
Arm height (from floor, front/back)	30"/27"
Seat height/depth	22.5"/18"
Upright overall depth (w/handle)	47"
Thermoplastic casters	5"



## OPTIONS

Trendelenburg (T)

Break-away arm – Note patient left (L) or right (R) side

Additional fold-away side table (S7) – not available with break-away arm option

Cupholder – on all tables (C), on one of two tables, specify (CUP-HOLDER L) or (CUP-HOLDER R)

Premium casters – Set of 4 (K)

Heat (J) – (547 manual model only)

Heat and massage (JM)

CAL 133 fire barrier (3)\*\*

Vinyl upgrades

Champion, non-standard vinyl (NSV)\*\*\*

Customer's own material (COM)

PVC-free material

Antimicrobial material

Dual-hand control (DUALACT-PWR) – (54P model only)

Battery backup (BATTERY) – (54P model only)

\*\*Contact Champion for a list of fire-tested vinyls.

\*\*\*For available patterns and colors for non-standard vinyl, please contact your Champion sales representative.



HEAT OR HEAT/MASSAGE



BREAK-AWAY ARM



TRENDLENBURG



VINYL UPGRADES

## ACCESSORIES

Provide your patient the best care and comfort with an over-the-lap tray, cup holders, head pillow/lumbar support, cushion wedge/arm support, footrest extender, TV mount, nocturnal sleep pad, side guards, IV poles

or an oxygen tank holder. For a complete list of our accessories, please see our *Accessories* brochure or ask your Champion sales representative for more information.

# CHAMPION™

Champion Manufacturing, Inc.  
 2601 Industrial Parkway, Elkhart, IN 46516

1.800.998.5018  
[www.championchair.com](http://www.championchair.com)

# CHAMPION™

Quality Healthcare Seating Products

## 59 Series

RELAX RECLINER

RATED UP TO 300 LBS.

Part #596 MANUAL RECLINER  
Part #59P POWER RECLINER\*



Shown with optional side tables.

Providing a cost effective alternative when patient transport is not required, this medical recliner features durable three-inch casters that are lower to the ground making it great for more petite patient populations and pediatrics. The 59 Series is ideal for use in oncology, infusion therapies, patient rooms, long-term care environments and other treatment needs.

Z-spring construction for greater comfort.



All steel, powder-coated frame for durability.\*\*

### STANDARD FEATURES

Stationary arms

3" thermoplastic casters

Wall-hugger mechanism (infinite recline positions)

Thermo-sensitive, pressure-reduction seat foam

Quick-release seat

Thermo-sensitive seat foam



Wall-hugger recline mechanism\*\*



Quick-release seat



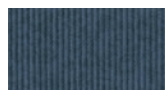
### STANDARD VINYL SELECTION



Natural  
T09



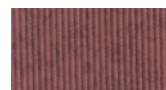
Aquamarine  
T19



Bonnie Blue  
T21



Iced Mint  
T26



Tearose  
T43



Colonial Blue  
T45



Gray  
T56



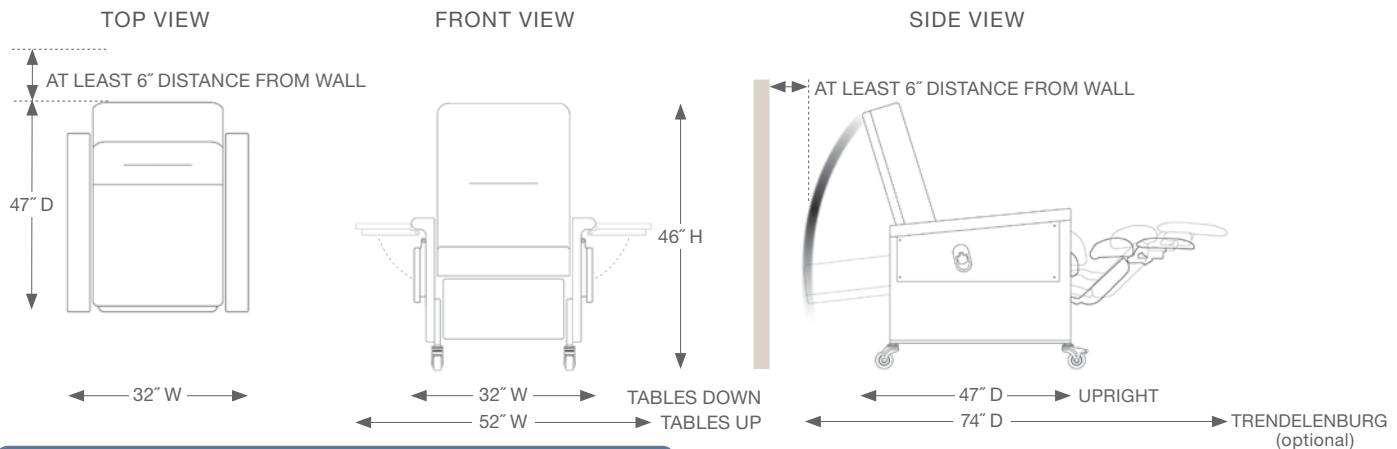
Cranberry  
T96

Printed color swatches may not be an exact match to actual fabrics and are enlarged to show detail.

\*The 59P (without the heat & massage option) is UL 60601-1 certified.

\*\*Footray and five-inch casters do not come with the 59 Series, but foot tray can be added as an option.

## SPACE REQUIREMENTS



## SPECIFICATIONS

Weight capacity	300 lbs.
Back height (from floor/seat)	46"/29"
Overall width (2 tables down/up)	32"/52"
Seat width	22.5"
Arm height (from floor, front/back)	27.5"/24.5"
Seat height/depth	21"/18"
Upright overall depth	47"
Thermoplastic casters	3"



## OPTIONS

Trendelenburg (T)

Break-away arm – Note patient left (L) or right (R) side

First fold-away side table (F) – Note patient left (L) or right (R) side

Second fold-away side table (S7) –  
not available with break-away arm option

Cupholder – on all tables (C), on one of two tables, specify  
(CUP-HOLDER L) or (CUP-HOLDER R)

Retractable foot tray (P)

Heat (J) – (596 manual model only)

Heat and massage (JM)

CAL 133 fire barrier (3)\*\*\*

Vinyl upgrades

Champion, non-standard vinyl (NSV)\*\*\*\*

Customer's own material (COM)

PVC-free material

Antimicrobial material

Battery backup (BATTERY) – (59P model only)

Dual-hand control (DUALACT-PWR) – (59P model only)

\*\*\*Contact Champion for a list of fire-tested vinyls.

\*\*\*\*For available patterns and colors for non-standard vinyl, please contact your Champion sales representative.



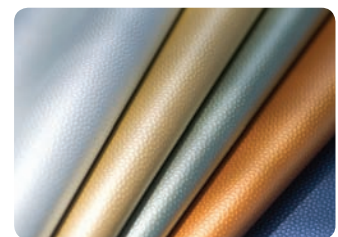
HEAT OR HEAT/MASSAGE



BREAK-AWAY ARM



TRENDLENBURG\*\*



VINYL UPGRADES

## ACCESSORIES

Provide your patient the best care and comfort with an over-the-lap tray, cup holders, head pillow/lumbar support, cushion wedge/arm support, footrest extender, TV mount, nocturnal sleep pad, side guards, IV poles

or an oxygen tank holder. For a complete list of our accessories, please see our *Accessories* brochure or ask your Champion sales representative for more information.

# CHAMPION™

Champion Manufacturing, Inc.  
2601 Industrial Parkway, Elkhart, IN 46516

1.800.998.5018  
www.championchair.com

# CHAMPION™

Quality Healthcare Seating Products

## 65 Series

MEDICAL RECLINER/TRANSPORTER

RATED UP TO 300 LBS.

Part #650 MANUAL RECLINER  
Part #65P POWER RECLINER

ARMS  
OPEN  
180°



65P shown with optional side table and head flap.

Increased padding for added softness and comfort, subtle curves and swing-away arms make the 65 Series recliner ideal for both patient and caregiver. It has all the durable engineering of our Classic recliner with an upscale look offered in both Manual and Power recline. The 65 Series is optimal for oncology, surgery, infusion, dialysis therapies, orthopedics, pediatric and long-term care facilities and other treatment needs.

All steel, powder-coated frame for durability.

Z-spring construction for greater comfort.

Swing-away arms make transferring easier.



### STANDARD FEATURES

- Swing-away arms
- Fold-away side table (one)
- Push handle
- Retractable foot tray
- 4" dual thermoplastic casters
- Wall-hugger mechanism (infinite recline positions)
- Thermo-sensitive seat foam
- Quick-release seat

Thermo-sensitive seat foam



Wall-hugger recline mechanism



Quick-release seat



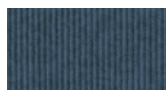
### STANDARD VINYL SELECTION



Natural  
T09



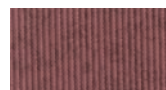
Aquamarine  
T19



Bonnie Blue  
T21



Iced Mint  
T26



Tearose  
T43



Colonial Blue  
T45



Gray  
T56

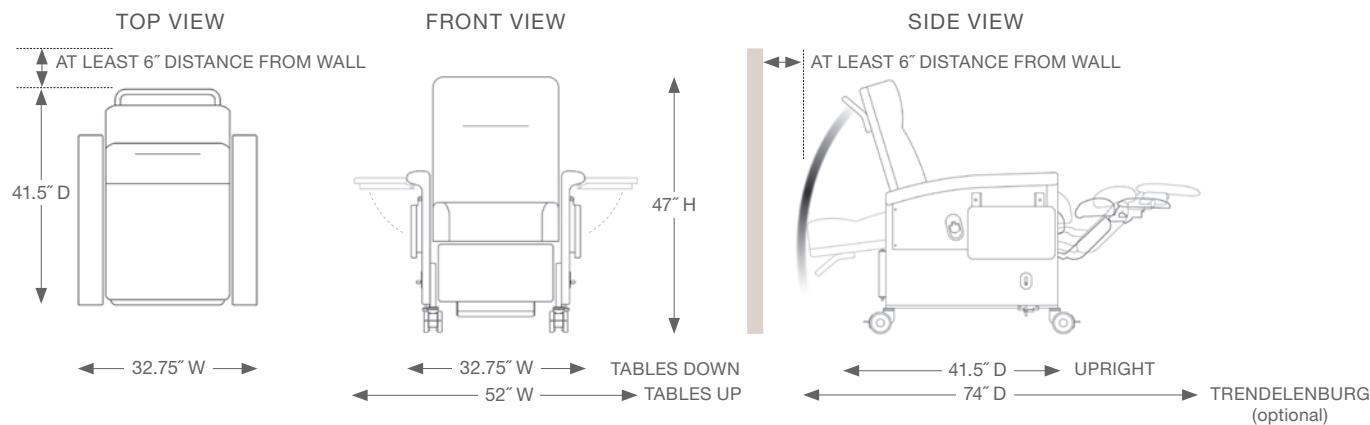


Cranberry  
T96

Printed color swatches may not be an exact match to actual fabrics and are enlarged to show detail.



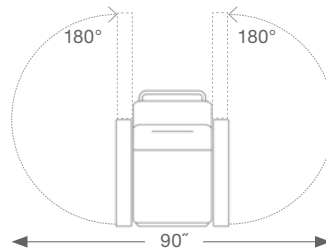
## SPACE REQUIREMENTS



## SPECIFICATIONS

Weight capacity	300 lbs.
Back height (from floor/seat)	47"/26.25"
Overall width (2 tables down/up)*	32.75"/52"
Seat width	22.5"
Arm height (from floor, front/back)	29"/26"
Seat height/depth	24.5"/20.5"
Upright overall depth (w/handle)	41.5"
Thermoplastic casters (dual)	4"

## TOP VIEW WITH SWING-AWAY ARMS



## OPTIONS

Trendelenburg (T)

Additional fold-away side table (S7)

Cupholder – on all tables (C), on one of two tables, specify (CUP-HOLDER L) or (CUP-HOLDER R)

Heat (J) – (650 manual model only)

Heat and massage (JM)

Cal 133 fire barrier (3)\*\*

Vinyl upgrades

Champion, non-standard vinyl (NSV)\*\*\*

Customer's own material (COM)

PVC-free material

Antimicrobial material

Battery backup (BATTERY) – (65P model only)

Dual-hand control (DUALACT-PWR) – (65P model only)

\*Measured with both arms closed.

\*\*Contact Champion for a list of fire-tested vinyls.

\*\*\*For available patterns and colors for non-standard vinyl, please contact your Champion sales representative.



HEAT OR HEAT/MASSAGE



VINYL UPGRADES



TRENDLENBURG

## ACCESSORIES

Provide your patient the best care and comfort with an over-the-lap tray, cup holders, head pillow/lumbar support, cushion wedge/arm support, footrest extender, TV mount, IV poles or an oxygen tank holder. For a

complete list of our accessories, please see our *Accessories* brochure or ask your Champion sales representative for more information.

**CHAMPION™**

Champion Manufacturing, Inc.  
 2601 Industrial Parkway, Elkhart, IN 46516

1.800.998.5018  
[www.championchair.com](http://www.championchair.com)

# CHAMPION™

Quality Healthcare Seating Products

## Ascent II

MEDICAL RECLINER/TRANSPORTER

RATED UP TO 300 LBS.

Part #670 MANUAL RECLINER  
Part #67P POWER RECLINER

ARMS  
OPEN  
180°



Shown with optional second side table.

All steel, powder-coated frame for durability.

Z-spring construction for greater comfort.



Swing-away arms make lateral patient transfer and infection control easier.



Luxe and stylish, the Ascent II recliner puts a new twist on serious medical seating. The curved top-line of the seat back offers additional head room while the “wing-back” design adds style and customization options for designers. Standard features such as swing-away arms and a removable seat aid in meeting infection control goals. Available in both Manual and Power recline, the Ascent II is optimal for patient rooms, oncology, infusion therapies, dialysis, pre/post op and other treatment needs.

### STANDARD FEATURES

Swing-away arms

Fold-away side table (one)

Push handle

Retractable foot tray

4" dual thermoplastic casters

Wall-hugger mechanism (infinite recline positions)

Quick-release seat

4" dual thermoplastic casters



Wall-hugger recline mechanism



Quick-release seat



### STANDARD VINYL SELECTION



Natural  
T09



Aquamarine  
T19



Bonnie Blue  
T21



Iced Mint  
T26



Tearose  
T43



Colonial Blue  
T45



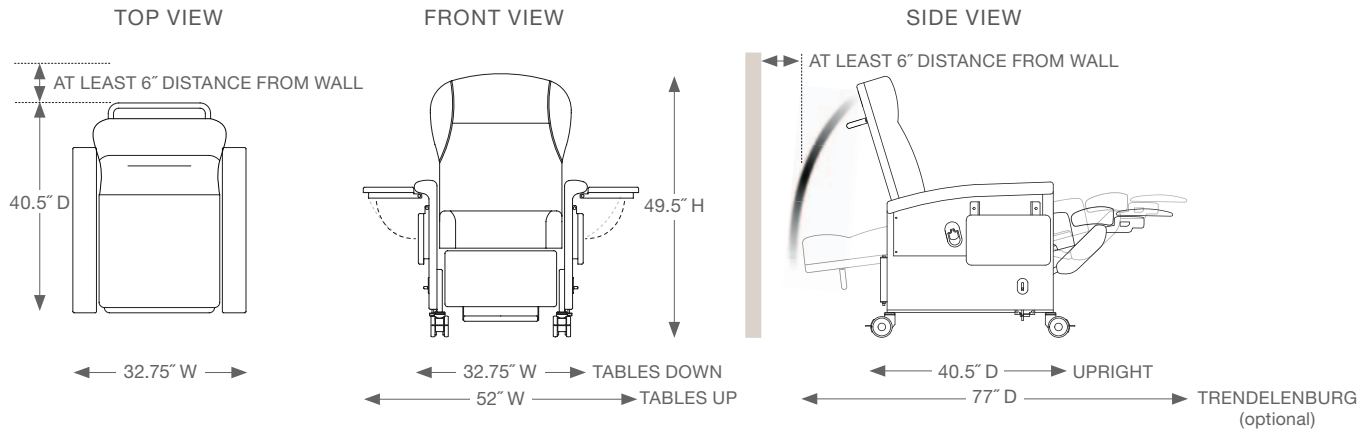
Gray  
T56



Cranberry  
T96

Printed color swatches may not be an exact match to actual fabrics and are enlarged to show detail.

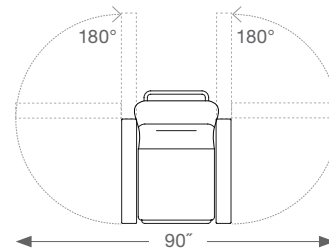
## SPACE REQUIREMENTS



## SPECIFICATIONS

Weight capacity	300 lbs.
Back height (from floor/seat)	49.5"/28.75"
Overall width (2 tables down/up)*	32.75"/52"
Seat width	22.5"
Arm height (from floor, front/back)	29"/26"
Seat height/depth	24.5"/20.5"
Upright overall depth (w/handle)	40.5"
Thermoplastic casters (dual)	4"

## TOP VIEW WITH SWING-AWAY ARMS

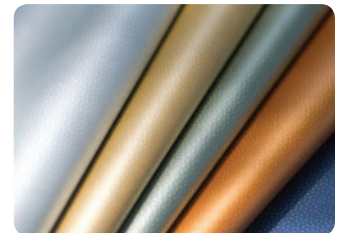


## OPTIONS

Trendelenburg (T)
Additional fold-away side table (S7)
Cupholder – on all tables (C), on one of two tables, specify (CUP-HOLDER L) or (CUP-HOLDER R)
Heat (J) – (670 manual model only)
Heat and massage (JM)
Cal 133 fire barrier (3)**
Vinyl upgrades
Champion, non-standard vinyl (NSV)***
Customer's own material (COM)
PVC-free material
Antimicrobial material
Battery backup (BATTERY) – (67P model only)
Dual-hand control (DUALACT-PWR) – (67P model only)



HEAT OR HEAT/MASSAGE



VINYL UPGRADES



TRENDELENBURG

\*Measured with both arms closed.

\*\*Contact Champion for a list of fire-tested vinyls. Not available with two-tone vinyl option.

\*\*\*For available patterns and colors for non-standard vinyl, please contact your Champion sales representative.

## ACCESSORIES

Provide your patient the best care and comfort with an over-the-lap tray, cup holders, head pillow/lumbar support, cushion wedge/arm support, footrest extender, TV mount, IV poles or an oxygen tank holder.

For a complete list of our accessories, please see our *Accessories* brochure or ask your Champion sales representative for more information.

**CHAMPION™**

Champion Manufacturing, Inc.  
 2601 Industrial Parkway, Elkhart, IN 46516

1.800.998.5018  
[www.championchair.com](http://www.championchair.com)

# CHAMPION™

Quality Healthcare Seating Products

## 85 Series

STANDARD RECLINER

RATED UP TO 300 LBS.

Part #858 MANUAL RECLINER  
Part #85P POWER RECLINER\*



Shown with optional second side table.

The 85 Series Recliner Transporter offers all of the classic features of a Champion with the convenience of swing-arms. Continuing Champion's tradition of durability, it features a rock-solid steel frame. Standard swing-arms provide versatility, easy cleaning, efficient maintenance and patient transfers. Durable five-inch casters roll easily during transport and raise the chair to a comfortable height for staff. The 85 Series is ideal for oncology, pre/post op, dialysis, infusion therapy, patient rooms and other treatment needs.

ARMS  
OPEN  
180°

Z-spring construction for greater comfort.



All steel, powder-coated frame for durability.

### STANDARD FEATURES

- Swing-away arms
- Fold-away side table (one)
- Push handle
- Retractable foot tray
- 5" thermoplastic casters
- Wall-hugger mechanism (infinite recline positions)
- Thermo-sensitive, pressure-reduction seat foam
- Quick-release seat

Thermo-sensitive seat foam



Wall-hugger recline mechanism



Quick-release seat



### STANDARD VINYL SELECTION



Natural  
T09



Aquamarine  
T19



Bonnie Blue  
T21



Iced Mint  
T26



Tearose  
T43



Colonial Blue  
T45



Gray  
T56

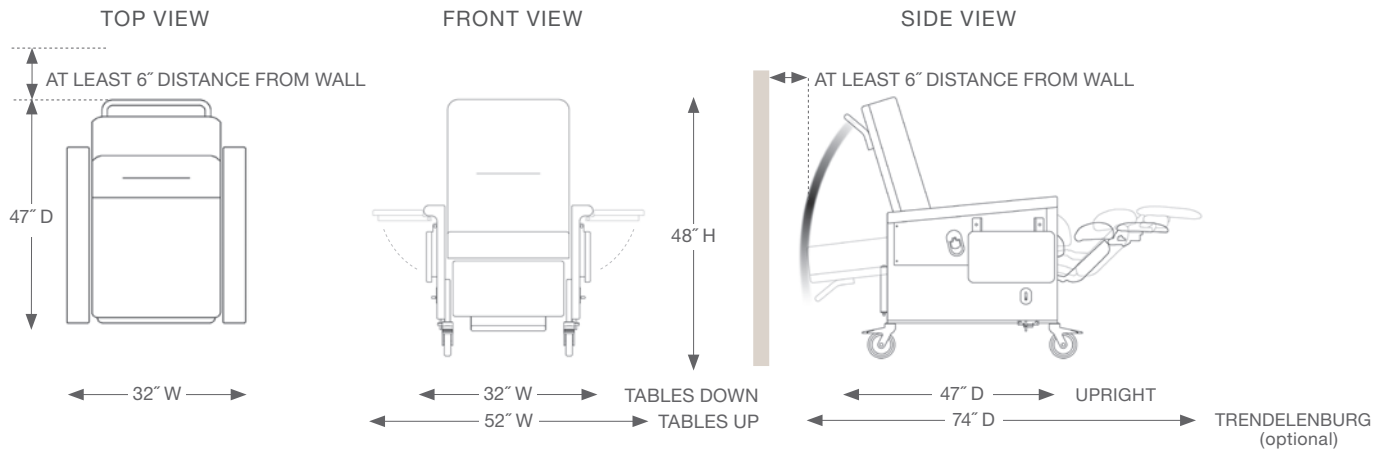


Cranberry  
T96

Printed color swatches may not be an exact match to actual fabrics and are enlarged to show detail.

\*The 85P (without the heat & massage option) is UL 60601-1 certified.

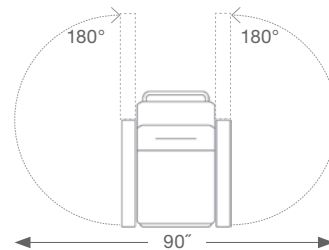
## SPACE REQUIREMENTS



## SPECIFICATIONS

Weight capacity	300 lbs.
Back height (from floor/seat)	48"/29"
Overall width (2 tables down/up)**	32"/52"
Seat width	22.5"
Arm height (from floor, front/back)	30"/27"
Seat height/depth	22.5"/18"
Upright overall depth (w/handle)	47"
Thermoplastic casters	5"

## TOP VIEW WITH SWING-AWAY ARMS



## OPTIONS

Trendelenburg (T)
Fold-away side table (S7)
Cupholder – on all tables (C), on one of two tables, specify (CUP-HOLDER L) or (CUP-HOLDER R)
Premium casters – Set of 4 (K)
Heat (J) – (858 manual model only)
Heat and massage (JM)
CAL 133 fire barrier (3)***
Vinyl upgrades
Champion, non-standard vinyl (NSV)****
Customer's own material (COM)
PVC-free material
Antimicrobial material
Dual-hand control (DUALACT-PWR) – (85P model only)
Battery backup (BATTERY) – (85P model only)

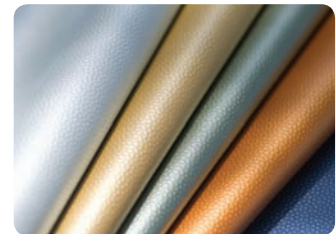
\*\*Measured with both arms closed.

\*\*\*Contact Champion for a list of fire-tested vinyls.

\*\*\*\*For available patterns and colors for non-standard vinyl, please contact your Champion sales representative.



HEAT OR HEAT/MASSAGE



VINYL UPGRADES



TRENDELENBURG

## ACCESSORIES

Provide your patient the best care and comfort with an over-the-lap tray, cup holders, head pillow/lumbar support, cushion wedge/arm support, footrest extender, TV mount, nocturnal sleep pad, side guards, IV poles

or an oxygen tank holder. For a complete list of our accessories, please see our *Accessories* brochure or ask your Champion sales representative for more information.

**CHAMPION™**

Champion Manufacturing, Inc.  
 2601 Industrial Parkway, Elkhart, IN 46516

1.800.998.5018  
[www.championchair.com](http://www.championchair.com)

# CHAMPION™

Quality Healthcare Seating Products

## 89 Series

RELAX RECLINER

RATED UP TO 300 LBS.

Part #898 MANUAL RECLINER  
Part #89P POWER RECLINER\*



Shown with optional side table.

The 89 Series Relax Recliner is an economical, adaptable choice in patient seating. Start with basic recliner and choose only the features required for your specific treatment therapies. Standard swing-arms provide versatility, easy cleaning, efficient maintenance and patient transfers. The three-inch casters are a great solution for more petite-sized patient populations and pediatrics, and are ideal for oncology, dialysis, infusion therapy, patient rooms and other treatment needs.



Z-spring construction for greater comfort.

All steel, powder-coated frame for durability.\*\*

### STANDARD FEATURES

Swing-away arms

3" thermoplastic casters

Wall-hugger mechanism (infinite recline positions)

Thermo-sensitive, pressure-reduction seat foam

Quick-release seat

Thermo-sensitive seat foam



Wall-hugger recline mechanism\*\*



Quick-release seat



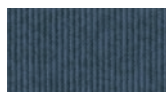
### STANDARD VINYL SELECTION



Natural  
T09



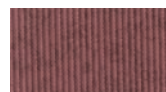
Aquamarine  
T19



Bonnie Blue  
T21



Iced Mint  
T26



Tearose  
T43



Colonial Blue  
T45



Gray  
T56



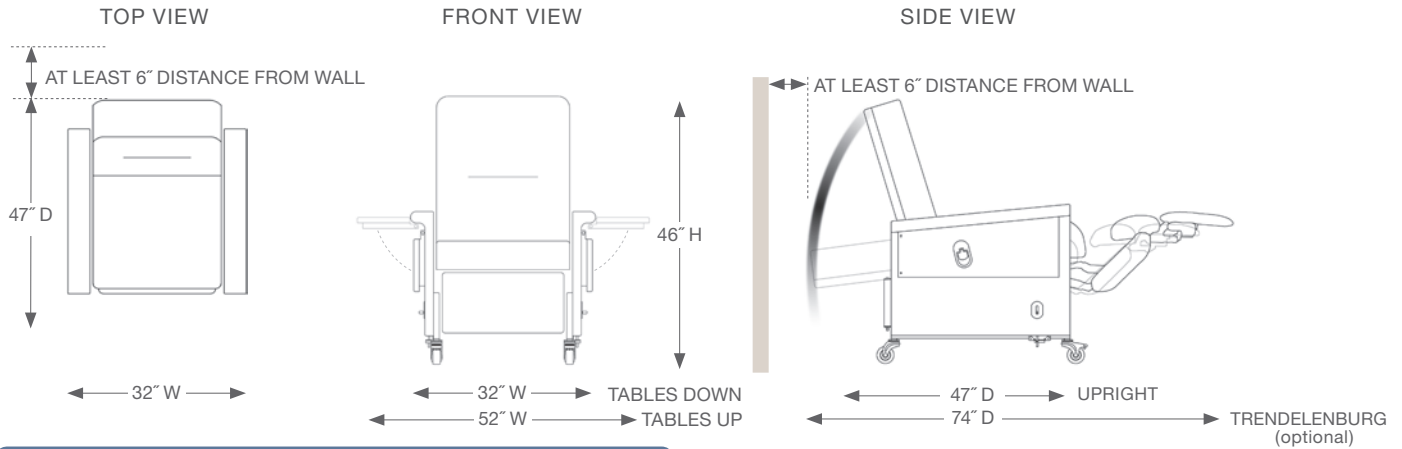
Cranberry  
T96

Printed color swatches may not be an exact match to actual fabrics and are enlarged to show detail.

\*The 89P (without the heat and massage option) is UL 60601-1 certified.

\*\*Foot tray and five-inch casters do not come with the 89 Series, but foot tray can be added as an option.

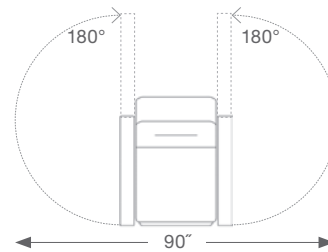
## SPACE REQUIREMENTS



## SPECIFICATIONS

Weight capacity	300 lbs.
Back height (from floor/seat)	46"/29"
Overall width (2 tables down/up)***	32"/52"
Seat width	22.5"
Arm height (from floor, front/back)	27.5"/24.5"
Seat height/depth	21"/18"
Upright overall depth	47"
Thermoplastic casters	3"

## TOP VIEW WITH SWING-AWAY ARMS



## OPTIONS

Trendelenburg (T)
Fold-away side table – First (F) Second (S7)
Retractable foot tray (P)
Push handle (H)
Cupholder – on all tables (C), on one of two tables, specify (CUP-HOLDER L) or (CUP-HOLDER R)
Heat (J) – (898 manual model only)
Heat and massage (JM)
CAL 133 fire barrier (3)****
Vinyl upgrades
Champion, non-standard vinyl (NSV)*****
Customer's own material (COM)
PVC-free material
Antimicrobial material
Dual-hand control (DUALACT-PWR) – (89P model only)
Battery backup (BATTERY) – (89P model only)

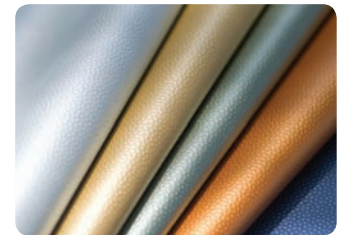
\*\*\*Measured with both arms closed.

\*\*\*\*Contact Champion for a list of fire-tested vinyls.

\*\*\*\*\*For available patterns and colors for non-standard vinyl, please contact your Champion sales representative.



HEAT OR HEAT/MASSAGE



VINYL UPGRADES



TRENDELENBURG\*\*

## ACCESSORIES

Provide your patient the best care and comfort with an over-the-lap tray, cup holders, head pillow/lumbar support, cushion wedge/arm support, footrest extender, TV mount, nocturnal sleep pad, side guards, IV poles

or an oxygen tank holder. For a complete list of our accessories, please see our *Accessories* brochure or ask your Champion sales representative for more information.

# CHAMPION™

Champion Manufacturing, Inc.  
2601 Industrial Parkway, Elkhart, IN 46516

1.800.998.5018  
www.championchair.com

# CHAMPION™

Quality Healthcare Seating Products

## Passage Series

MEDICAL RECLINER

RATED UP TO 300 LBS.

Part #PS SWING-AWAY ARM  
Part #PF FIXED ARM



Shown with optional side table (black).



Gently curved to cradle patient.

### STANDARD FEATURES

Fixed or swing-away arms (depending on model)

Trendelenburg

Three-position mechanism

3" thermoplastic casters (rear locking)

High-grade polyurethane foam

Soft vinyl (medical grade)

The Passage treatment recliner offers soft, radius lines for a more “at-home feeling” that fits flawlessly in a patient room setting. The Trendelenburg feature comes standard and is unmatched in efficiency and ease of operation. The Passage is ideal for use in oncology, surgery centers, dialysis, infusion therapies, patient rooms, long-term care environments and other treatment needs.

Foot-release Trendelenburg



Swing-away arm (PS model only)



Rear-locking caster



### STANDARD VINYL SELECTION



Sand  
CY12



Chaps  
CY13



Rosa  
CY31



Light Gray  
CY22



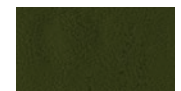
Honesty  
CY26



Navy  
CY17



Valley  
CY35

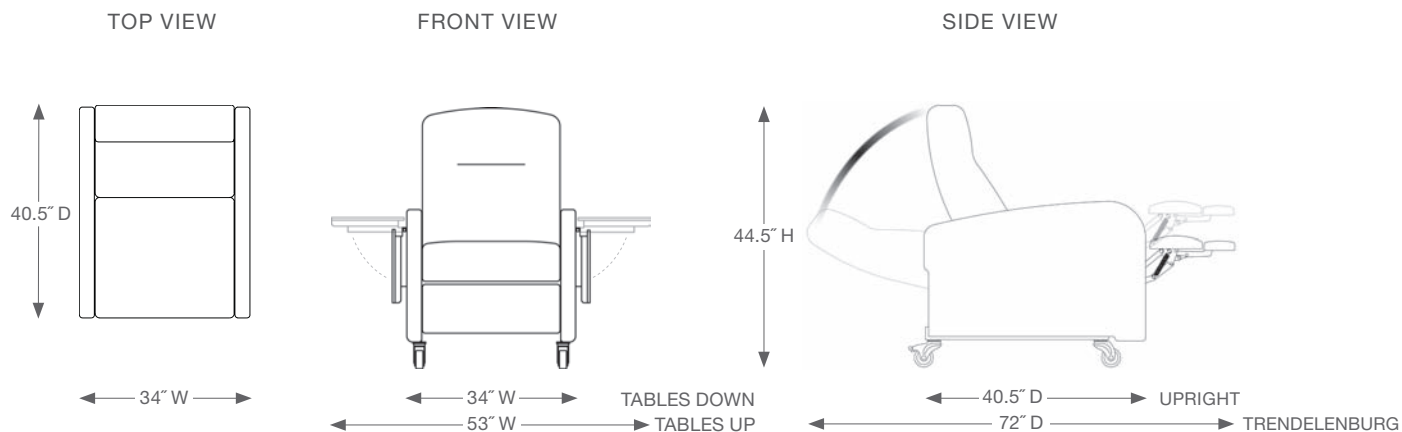


Cyprus  
CY30

Printed color swatches may not be an exact match to actual fabrics and are enlarged to show detail.



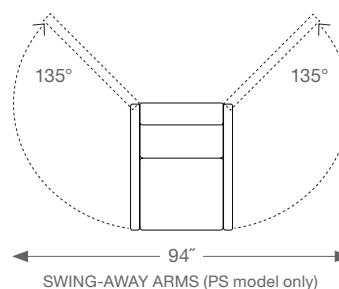
## SPACE REQUIREMENTS



## SPECIFICATIONS

Weight capacity	300 lbs.
Back height (from floor/seat)	44.5"/26"
Overall width (2 tables down/up)	34"/53"
Seat width	22.5"
Arm height (from floor, front/back)	26.5"/21.5"
Seat height/depth	19.5"/19.5"
Upright overall depth	40.5"
Trendelenburg depth	72"
Thermoplastic casters	3"

## TOP VIEW WITH SWING-AWAY ARMS



## OPTIONS

Push handle (H)

First fold-away side table – Black (FB), Taupe (FT)

Second fold-away side table – Black (SB), Taupe (ST)

Cupholder – Patient left (CL), Patient right (CR), or both left and right (CLR)

Heat (J)

Heat and massage (JM)

Vinyl upgrades

Champion, non-standard vinyl (NSV)\*

Customer's own material (COM)

PVC-free material

Antimicrobial material

\*For available patterns and colors for non-standard vinyl, please contact your Champion sales representative.



HEAT AND MASSAGE



SIDE TABLE WITH CUPHOLDER (optional)

## TABLE COLORS



Black

Taupe



VINYL UPGRADES

## ACCESSORIES

Provide your patient the best care and comfort with an over-the-lap tray, cup holders, head pillow, IV poles or an oxygen tank holder. For a

complete list of our accessories, please see our *Accessories* brochure or ask your Champion sales representative for more information.

**CHAMPION™**

Champion Manufacturing, Inc.  
2601 Industrial Parkway, Elkhart, IN 46516

1.800.998.5018  
www.championchair.com

# CHAMPION™

Quality Healthcare Seating Products

## 56 Series

BARIATRIC RECLINER/TRANSPORTER

RATED UP TO 500 LBS.

Part #566 MANUAL RECLINER  
Part #56P POWER RECLINER\*



Shown with optional second side table and head pillow.

Champion's 56 Series Recliner is generously sized, deeper and wider for patients up to 500 lbs., with a steel frame reinforced to meet the needs of larger patients. Durable five-inch casters roll easily during transport and raise the chair to a comfortable height for staff. The 56 Series' extra room is a great solution for nocturnal therapies and is ideal for oncology, pre/post op, dialysis, infusion therapy, patient rooms and other treatment needs.

Z-spring construction for greater comfort.



All steel, powder-coated frame for durability.

### STANDARD FEATURES

- Stationary arms
- Fold-away side table (one)
- Push handle
- Retractable foot tray
- 5" thermoplastic casters
- Wall-hugger mechanism (infinite recline positions)
- Thermo-sensitive, pressure-reduction seat foam
- Quick-release seat

Thermo-sensitive seat foam



Wall-hugger recline mechanism



Quick-release seat



### STANDARD VINYL SELECTION



Natural  
T09



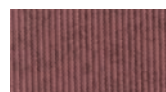
Aquamarine  
T19



Bonnie Blue  
T21



Iced Mint  
T26



Tearose  
T43



Colonial Blue  
T45



Gray  
T56

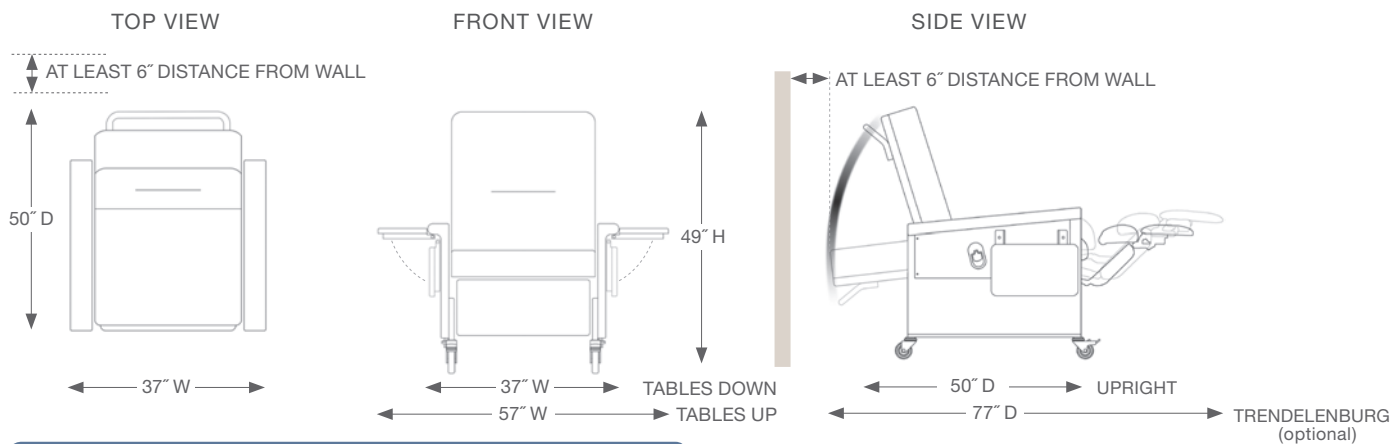


Cranberry  
T96

Printed color swatches may not be an exact match to actual fabrics and are enlarged to show detail.

\*The 56P (without the heat & massage option) is UL 60601-1 certified.

## SPACE REQUIREMENTS



## SPECIFICATIONS

Weight capacity	500 lbs.
Back height (from floor/seat)	49"/29"
Overall width (2 tables down/up)	37"/57"
Seat width	27.5"
Arm height (from floor, front/back)	30"/27"
Seat height/depth	24"/21"
Upright overall depth (w/handle)	50"
Thermoplastic casters	5"



## OPTIONS

Trendelenburg (T)

Break-away arm – Note patient left (L) or right (R) side

Additional fold-away side table (S7) – not available with break-away arm option

Cupholder – on all tables (C), on one of two tables, specify (CUP-HOLDER L) or (CUP-HOLDER R)

Premium casters – Set of 4 (K)

Heat (J) – (566 manual model only)

Heat and massage (JM)

CAL 133 fire barrier (3)\*\*

Vinyl upgrades

Champion, non-standard vinyl (NSV)\*\*\*

Customer's own material (COM)

PVC-free material

Antimicrobial material

Dual-hand control (DUALACT-PWR) – (56P model only)

Battery backup (BATTERY) – (56P model only)

\*\*Contact Champion for a list of fire-tested vinyls.

\*\*\*For available patterns and colors for non-standard vinyl, please contact your Champion sales representative.



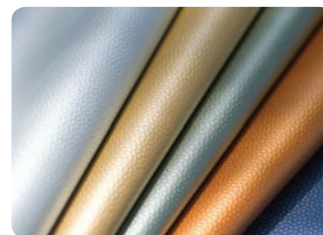
HEAT OR HEAT/MASSAGE



BREAK-AWAY ARM



TRENDLENBURG



VINYL UPGRADES

## ACCESSORIES

Provide your patient the best care and comfort with an over-the-lap tray, cup holders, head pillow/lumbar support, cushion wedge/arm support, footrest extender, TV mount, nocturnal sleep pad, side guards, IV poles

or an oxygen tank holder. For a complete list of our accessories, please see our *Accessories* brochure or ask your Champion sales representative for more information.

# CHAMPION™

Champion Manufacturing, Inc.  
 2601 Industrial Parkway, Elkhart, IN 46516

1.800.998.5018  
[www.championchair.com](http://www.championchair.com)

# CHAMPION™

Quality Healthcare Seating Products

## 58 Series

BARIATRIC RELAX RECLINER

RATED UP TO 500 LBS.

Part #586 MANUAL RECLINER  
Part #58P POWER RECLINER\*



Shown with optional side tables.

The 58 Series Relax Recliner is a cost-effective, versatile choice in patient seating. Start with basic recliner and choose only the features required for your specific treatment therapies. Sized for patients up to 500 lbs, the 58 Series offers durable three-inch dual steel casters and a reinforced steel frame for larger patients, and is ideal for oncology, dialysis, infusion therapy, patient rooms and other treatment needs.



Z-spring construction for greater comfort.

All steel, powder-coated frame for durability.\*\*

### STANDARD FEATURES

Stationary arms

3" dual steel casters

Wall-hugger recline mechanism (infinite recline positions)

Thermo-sensitive, pressure-reduction seat foam

Quick-release seat

Thermo-sensitive seat foam



Wall-hugger recline mechanism\*\*



Quick-release seat



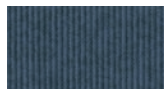
### STANDARD VINYL SELECTION



Natural  
T09



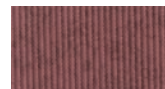
Aquamarine  
T19



Bonnie Blue  
T21



Iced Mint  
T26



Tearose  
T43



Colonial Blue  
T45



Gray  
T56



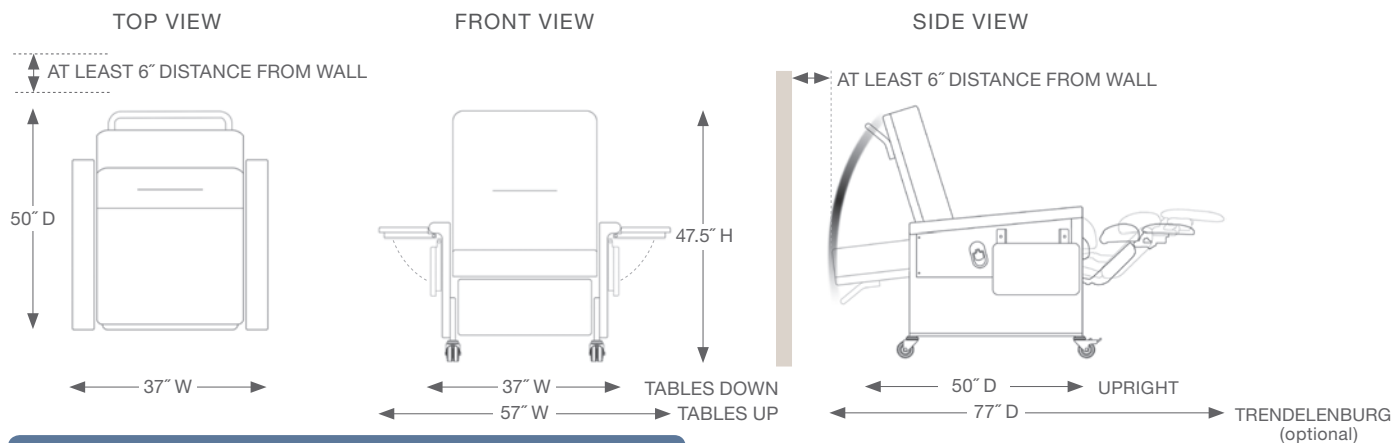
Cranberry  
T96

Printed color swatches may not be an exact match to actual fabrics and are enlarged to show detail.

\*The 58P (without the heat & massage option) is UL 60601-1 certified.

\*\*Foot tray and five-inch casters do not come with the 58 Series, but foot tray can be added as an option.

## SPACE REQUIREMENTS



## SPECIFICATIONS

Weight capacity	500 lbs.
Back height (from floor/seat)	47.5"/29"
Overall width (2 tables down/up)	37"/57"
Seat width	27.5"
Arm height (from floor, front/back)	28.5"/25.5"
Seat height/depth	22.5"/21"
Upright overall depth (w/handle)	50"
Steel casters (dual)	3"



## OPTIONS

Trendelenburg (T)
Break-away arm – patient left (L), right (R)
Fold-away side table – first (F), second (S7) – not available with break-away arm option
Cupholder – on all tables (C), on one of two tables, specify (CUP-HOLDER L) or (CUP-HOLDER R)
Retractable foot tray (P)
Push handle (H)
Heat (J) – (586 manual model only)
Heat and massage (JM)
CAL 133 fire barrier (3)***
Vinyl upgrades
Champion, non-standard vinyl (NSV)****
Customer's own material (COM)
PVC-free material
Antimicrobial material
Dual-hand control (DUALACT-PWR) – (58P model only)
Battery backup (BATTERY) – (58P model only)



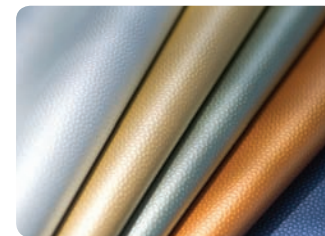
HEAT OR HEAT/MASSAGE



BREAK-AWAY ARM



TRENDLENBURG\*\*



VINYL UPGRADES

\*\*\*Contact Champion for a list of fire-tested vinyls.  
 \*\*\*\*For available patterns and colors for non-standard vinyl, please contact your Champion sales representative.

## ACCESSORIES

Provide your patient the best care and comfort with an over-the-lap tray, cup holders, head pillow/lumbar support, cushion wedge/arm support, footrest extender, TV mount, nocturnal sleep pad, side guards, IV poles

or an oxygen tank holder. For a complete list of our accessories, please see our *Accessories* brochure or ask your Champion sales representative for more information.

# CHAMPION™

Champion Manufacturing, Inc.  
 2601 Industrial Parkway, Elkhart, IN 46516

1.800.998.5018  
[www.championchair.com](http://www.championchair.com)

# CHAMPION™

Quality Healthcare Seating Products

## 66 Series

BARIATRIC RECLINER/TRANSPORTER

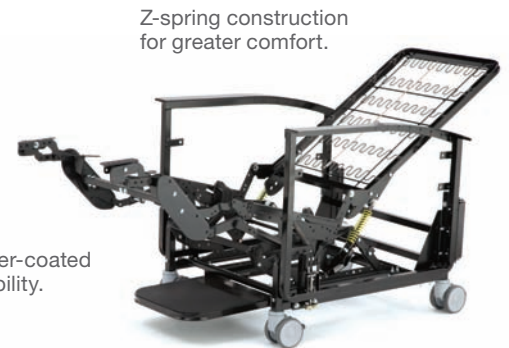
RATED UP TO 500 LBS.

Part #660 MANUAL RECLINER  
Part #66P POWER RECLINER



Shown with foot tray extended and optional head flap in contrasting color.

The 66 Series Recliner is ruggedly built like our classic recliners, with added style and elegance. Gently contoured lines enhance its profile while comforting patients up to 500 lbs. Standard swing-arms provide easy cleaning, maintenance and patient transfer. Four-inch, dual, thermoplastic casters are corrosion resistant and roll with ease. The 66 Series is a great patient seating solution for oncology, dialysis, nocturnal therapies, pre/post op, infusion therapy, patient rooms and other treatment needs.



Z-spring construction for greater comfort.

All steel, powder-coated frame for durability.

### STANDARD FEATURES

- Swing-away arms
- Fold-away side table (one)
- Push handle
- Retractable foot tray
- 4" dual thermoplastic casters
- Wall-hugger mechanism (infinite recline positions)
- Thermo-sensitive, pressure-reduction seat foam
- Quick-release seat

Thermo-sensitive seat foam



Wall-hugger recline mechanism



Quick-release seat



### STANDARD VINYL SELECTION



Natural  
T09



Aquamarine  
T19



Bonnie Blue  
T21



Iced Mint  
T26



Tearose  
T43



Colonial Blue  
T45



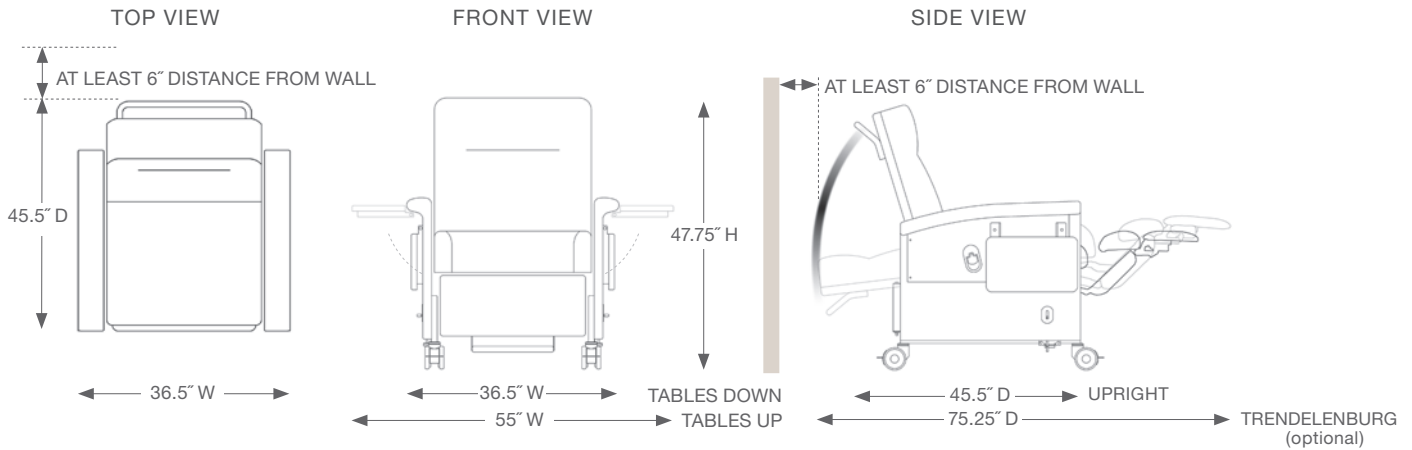
Gray  
T56



Cranberry  
T96

Printed color swatches may not be an exact match to actual fabrics and are enlarged to show detail.

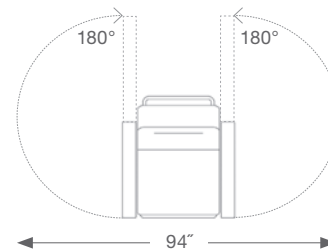
## SPACE REQUIREMENTS



## SPECIFICATIONS

Weight capacity	500 lbs.
Back height (from floor/seat)	47.75"/27"
Overall width (2 tables down/up)*	36.5"/55"
Seat width	27.5"
Arm height (from floor, front/back)	29"/26"
Seat height/depth	24.5"/21"
Upright overall depth (w/handle)	45.5"
Thermoplastic casters (dual)	4"

## TOP VIEW WITH SWING-AWAY ARMS



## OPTIONS

Trendelenburg (T)

Additional fold-away side table (S7)

Cupholder – on all tables (C), on one of two tables, specify (CUP-HOLDER L) or (CUP-HOLDER R)

Heat (J) – (660 manual model only)

Heat and massage (JM)

CAL 133 fire barrier (3)\*\*

Vinyl upgrades

Champion, non-standard vinyl (NSV)\*\*\*

Customer's own material (COM)

PVC-free material

Antimicrobial material

Dual-hand control (DUALACT-PWR) – (66P model only)

Battery backup (BATTERY) – (66P model only)

\*Measured with both arms closed.

\*\*Contact Champion for a list of fire-tested vinyls.

\*\*\*For available patterns and colors for non-standard vinyl, please contact your Champion sales representative.



HEAT OR HEAT/MASSAGE



VINYL UPGRADES



TRENDELENBURG

## ACCESSORIES

Provide your patient the best care and comfort with an over-the-lap tray, cup holders, head pillow/lumbar support, cushion wedge/arm support, footrest extender, TV mount, nocturnal sleep pad, side guards, IV poles

or an oxygen tank holder. For a complete list of our accessories, please see our *Accessories* brochure or ask your Champion sales representative for more information.

# CHAMPION™

Champion Manufacturing, Inc.  
2601 Industrial Parkway, Elkhart, IN 46516

1.800.998.5018  
www.championchair.com

# CHAMPION™

Quality Healthcare Seating Products

## Ascent II XL

BARIATRIC RECLINER/TRANSPORTER

RATED UP TO 500 LBS.

Part #680 MANUAL RECLINER  
Part #68P POWER RECLINER



Elegant and stylish, the Ascent II XL recliner puts a new spin on bariatric treatment seating. The curved top-line of the seat back offers additional head room while the “wing-back” design adds style and customization options for designers. Standard features such as swing-away arms, removable seat and dual, four-inch casters offer a wide range of benefits for the patient, caregiver and technician. Available in both Manual and Power recline, the Ascent II XL is optimal for oncology, infusion therapies, dialysis, pre/post op and other treatment needs.



Z-spring construction for greater comfort.

All steel, powder-coated frame for durability.

### STANDARD FEATURES

- Swing-away arms
- Fold-away side table (one)
- Push handle
- Retractable foot tray
- 4" dual thermoplastic casters
- Wall-hugger mechanism (infinite recline positions)
- Quick-release seat

4" dual thermoplastic casters



Wall-hugger recline mechanism



Quick-release seat



### STANDARD VINYL SELECTION



Natural  
T09



Aquamarine  
T19



Bonnie Blue  
T21



Iced Mint  
T26



Tearose  
T43



Colonial Blue  
T45



Gray  
T56

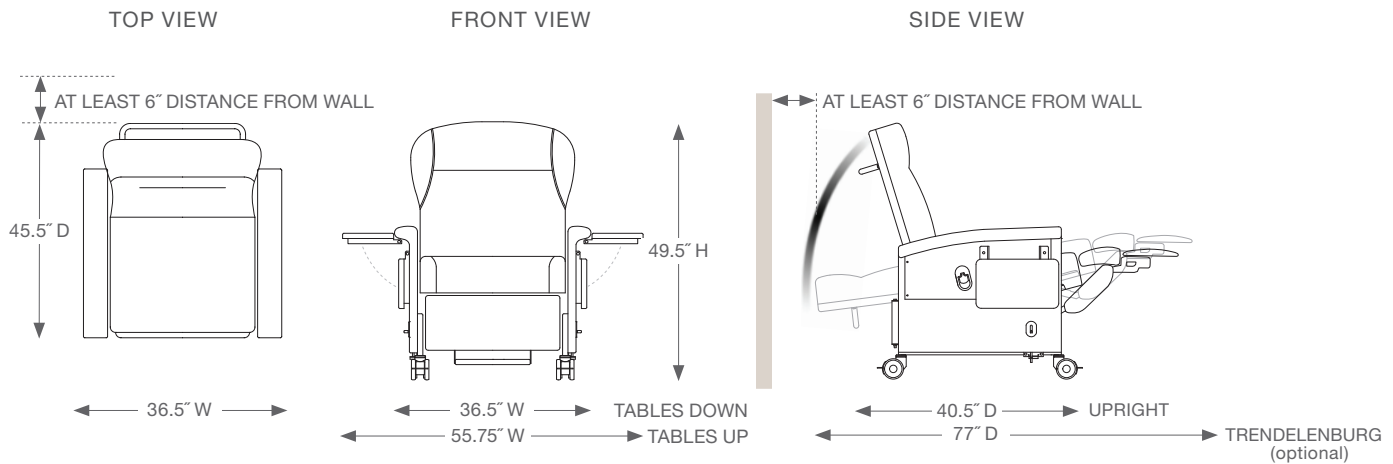


Cranberry  
T96

Printed color swatches may not be an exact match to actual fabrics and are enlarged to show detail.



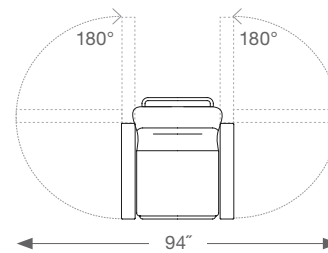
## SPACE REQUIREMENTS



## SPECIFICATIONS

Weight capacity	500 lbs.
Back height (from floor/seat)	49.5"/29.75"
Overall width (2 tables down/up)*	36.5"/55.75"
Seat width	27.5"
Arm height (from floor, front/back)	29"/26"
Seat height/depth	24.5"/21"
Upright overall depth (w/handle)	40.5"
Thermoplastic casters (dual)	4"

## TOP VIEW WITH SWING-AWAY ARMS



## OPTIONS

Trendelenburg (T)

Additional fold-away side table (S7)

Cupholder – on all tables (C), on one of two tables, specify (CUP-HOLDER L) or (CUP-HOLDER R)

Heat (J) – (680 manual model only)

Heat and massage (JM)

CAL 133 fire barrier (3)\*\*

Vinyl upgrades

Champion, non-standard vinyl (NSV)\*\*\*

Customer's own material (COM)

PVC-free material

Antimicrobial material

Dual-hand control (DUALACT-PWR) – (68P model only)

Battery backup (BATTERY) – (68P model only)

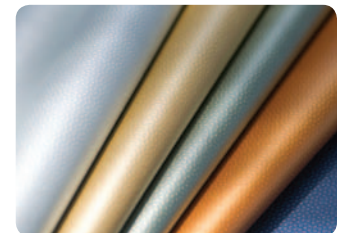
\*Measured with both arms closed.

\*\*Contact Champion for a list of fire-tested vinyls. Not available with two-tone vinyl option.

\*\*\*For available patterns and colors for non-standard vinyl, please contact your Champion sales representative.



HEAT OR HEAT/MASSAGE



VINYL UPGRADES



TRENDELENBURG

## ACCESSORIES

Provide your patient the best care and comfort with an over-the-lap tray, cup holders, head pillow/lumbar support, cushion wedge/arm support, footrest extender, TV mount, nocturnal sleep pad, side guards, IV poles

or an oxygen tank holder. For a complete list of our accessories, please see our *Accessories* brochure or ask your Champion sales representative for more information.

# CHAMPION™

Champion Manufacturing, Inc.  
2601 Industrial Parkway, Elkhart, IN 46516

1.800.998.5018  
www.championchair.com

# CHAMPION™

Quality Healthcare Seating Products

## 86 Series

BARIATRIC RECLINER/TRANSPORTER

RATED UP TO 500 LBS.

Part #868 MANUAL RECLINER  
Part #86P POWER RECLINER\*



Shown with optional second side table.

Champion's 86 Series Recliner is generously sized, deeper and wider for patients up to 500 lbs. with a steel frame reinforced to meet the needs of larger patients. Standard swing-arms provide versatility, easy cleaning, efficient maintenance and lateral patient transfers. Durable five-inch casters roll easily during transport and raise the chair to a comfortable height for staff. The 86 Series Recliner is ideal for oncology, pre/post op, dialysis, nocturnal therapies, infusion therapy, patient rooms and other treatment needs.

Z-spring construction for greater comfort.

All steel, powder-coated frame for durability.



Swing-away arms for easy patient transfers.



### STANDARD FEATURES

- Swing-away arms
- Fold-away side table (one)
- Push handle
- Retractable foot tray
- 5" thermoplastic casters
- Wall-hugger mechanism (infinite recline positions)
- Thermo-sensitive, pressure-reduction seat foam
- Quick-release seat

Thermo-sensitive seat foam



Wall-hugger recline mechanism



Quick-release seat



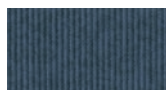
### STANDARD VINYL SELECTION



Natural T09



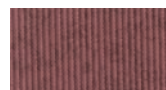
Aquamarine T19



Bonnie Blue T21



Iced Mint T26



Tearose T43



Colonial Blue T45



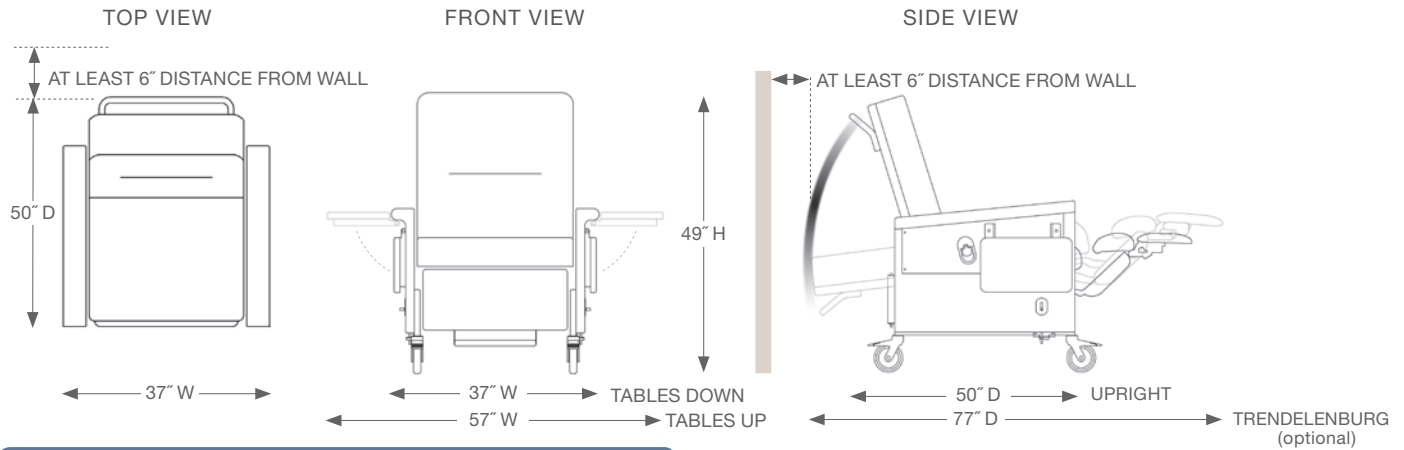
Gray T56



Cranberry T96

Printed color swatches may not be an exact match to actual fabrics and are enlarged to show detail.  
\*The 86P (without the heat & massage option) is UL 60601-1 certified.

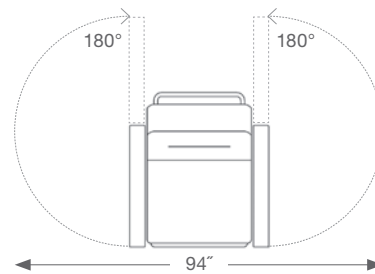
## SPACE REQUIREMENTS



## SPECIFICATIONS

Weight capacity	500 lbs.
Back height (from floor/seat)	49"/29"
Overall width (2 tables down/up)**	37"/57"
Seat width	27.5"
Arm height (from floor, front/back)	30"/27"
Seat height/depth	24"/21"
Upright overall depth (w/handle)	50"
Thermoplastic casters	5"

## TOP VIEW WITH SWING-AWAY ARMS



## OPTIONS

Trendelenburg (T)

Additional fold-away side table (S7)

Cupholder – on all tables (C), on one of two tables, specify (CUP-HOLDER L) or (CUP-HOLDER R)

Premium casters – Set of 4 (K)

Heat (J) – (868 manual model only)

Heat and massage (JM)

CAL 133 fire barrier (3)\*\*\*

Vinyl upgrades

Champion, non-standard vinyl (NSV)\*\*\*\*

Customer's own material (COM)

PVC-free material

Antimicrobial material

Dual-hand control (DUALACT-PWR) – (86P model only)

Battery backup (BATTERY) – (86P model only)

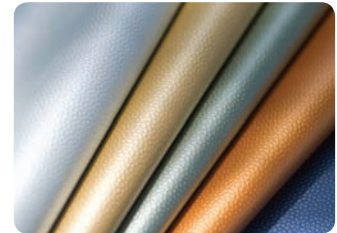
\*\*Measured with both arms closed.

\*\*\*Contact Champion for a list of fire-tested vinyls.

\*\*\*\*For available patterns and colors for non-standard vinyl, please contact your Champion sales representative.



HEAT OR HEAT/MASSAGE



VINYL UPGRADES



TRENDELENBURG

## ACCESSORIES

Provide your patient the best care and comfort with an over-the-lap tray, cup holders, head pillow/lumbar support, cushion wedge/arm support, footrest extender, TV mount, nocturnal sleep pad, side guards, IV poles

or an oxygen tank holder. For a complete list of our accessories, please see our *Accessories* brochure or ask your Champion sales representative for more information.

# CHAMPION™

Champion Manufacturing, Inc.  
2601 Industrial Parkway, Elkhart, IN 46516

1.800.998.5018  
www.championchair.com

# CHAMPION™

Quality Healthcare Seating Products

## Continuum

MEDICAL RECLINER/SLEEPER CHAIR  
RATED UP TO 400 LBS.

Part #720 MANUAL RECLINER



Product shown with optional two-tone vinyl upgrade.

The Continuum offers welcome comfort in a style perfect for patient rooms, where you'll find it flexible enough for any treatment setting, day or night. Well-sized and roomy for patients up to 400 lbs., the Continuum boasts an infinite-position back rest that lets patients easily control their own comfort. A familiar, lever-driven leg rest is also easy to use. The left arm swings open for easy transfer and cleaning. Over-night patients or guests can lay themselves completely flat without staff assistance and sleep comfortably.

Easily converts to flat body position for nocturnal use.



Swing-away arm makes transferring easier.



### STANDARD FEATURES

Lever activated foot rest and actuation release for back rest

Foot-release Trendelenburg (access from both sides of chair)

Steel, powder-coated frame

3" thermoplastic casters (rear locking)

Swing arm on patient's left side

Foot-release Trendelenburg



3" thermoplastic casters



Lever-activated foot rest



### CHAMPION SOFT VINYL SELECTION



Wheat  
FS12



Oxford Brown  
FS13



Wildflower  
FS31



Pebble Gray  
FS22



Harbor Blue  
FS26



Navy Blue  
FS17



Tapestry Green  
FS35

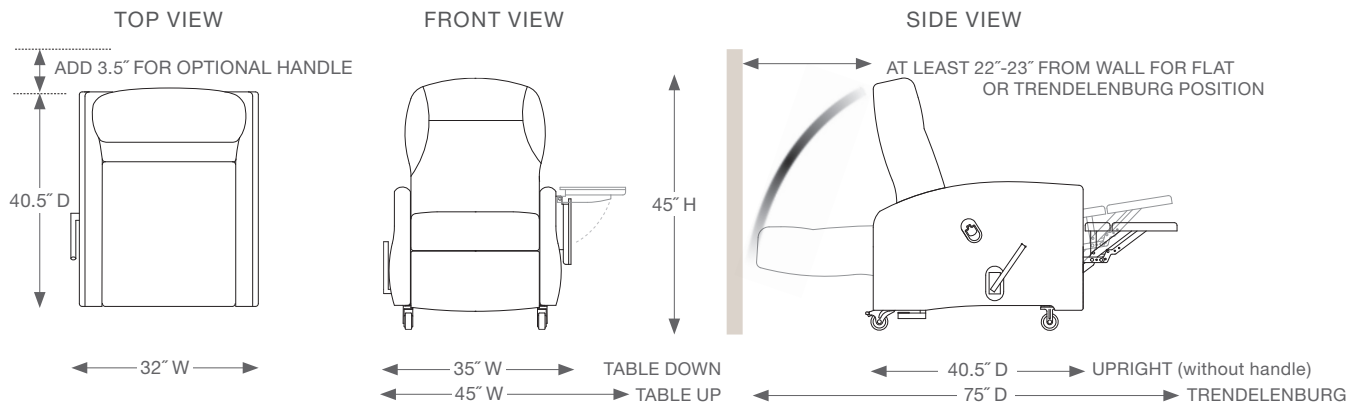


Olive Tree  
FS30

Printed color swatches may not be an exact match to actual fabrics and are enlarged to show detail.

[www.championchair.com](http://www.championchair.com)

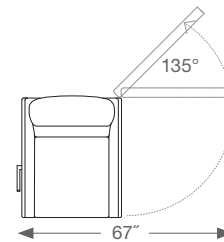
## SPACE REQUIREMENTS



## SPECIFICATIONS

Weight capacity	400 lbs.
Back height (from floor/seat)	45"/23"
Overall width (no table)	32"
Overall width (table down/up)*	35"/45"
Seat width	23.5"
Arm height (at highest point)	27"
Seat height/depth	22"/24"
Upright overall depth (with/without handle)	44"/40.5"
Thermoplastic casters	3"

## TOP VIEW WITH SWING-AWAY ARM



## OPTIONS

Push handle (H)
Fold-away side table – Black-(FB)
Cupholder (C)
Cal 133 fire barrier (3)** (not available w/two-tone vinyl upgrade)
Vinyl upgrades
Champion graded vinyl selections***
Customer's own material (COM)
PVC-free material
Antimicrobial material

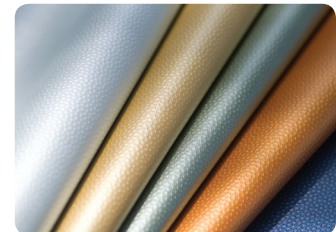
\*Measured with arms closed.

\*\*Contact Champion for a list of fire-tested vinyls.

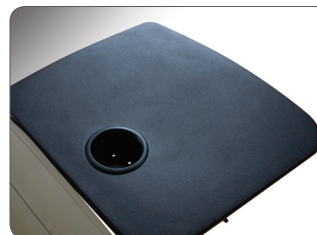
\*\*\*For available patterns and colors for graded vinyl selections, please contact your Champion sales representative.



HEAT OR HEAT/MASSAGE



VINYL UPGRADES



SIDE TABLE

## ACCESSORIES

Outfit your recliner for treatment use by adding accessories such as IV pole/bracket, IV pole basket and a LED reading light for nocturnal use.

For a complete list of our accessories, please see our *Accessories* brochure or ask your Champion sales representative for more information.

**CHAMPION™**

Champion Manufacturing, Inc.  
 2601 Industrial Parkway, Elkhart, IN 46516

1.800.998.5018  
[www.championchair.com](http://www.championchair.com)

© 2012 Champion Manufacturing, Inc. Litho in USA CM-174 10/12

All specifications and illustrations are based on the latest information at the time of publication. Champion Manufacturing, Inc. assumes no responsibility for any error in type or print reproduction of specifications in this printed piece. Champion reserves the right to make changes without notice in design, specifications and models.

# CHAMPION™

Quality Healthcare Seating Products

## 526 Series

CLASSIC OVERNIGHTER CHAIR

RATED UP TO 300 LBS.

Part #526



Shown with optional oak armrests.



Three positions available for optimal function and comfort.

The open-concept design of the Classic Overnighter provides stylish daytime seating and spacious sleeping for overnight guests. One of our very first products, the Classic Overnighter features time-tested engineering with superior durability for years of use. Medical-grade vinyls clean easily and come in a wide range of colors to match any interior color scheme. Keep loved ones close and comfortable with the Classic Overnighter.

### STANDARD FEATURES

Three positions

Steel and wood construction

Caster wheels (rear locking)

Open design to allow for body mobility

Caster wheels for easy conversion



Z-spring construction



Open-concept design



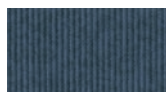
### STANDARD VINYL SELECTION



Natural  
T09



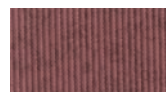
Aquamarine  
T19



Bonnie Blue  
T21



Iced Mint  
T26



Tearose  
T43



Colonial Blue  
T45



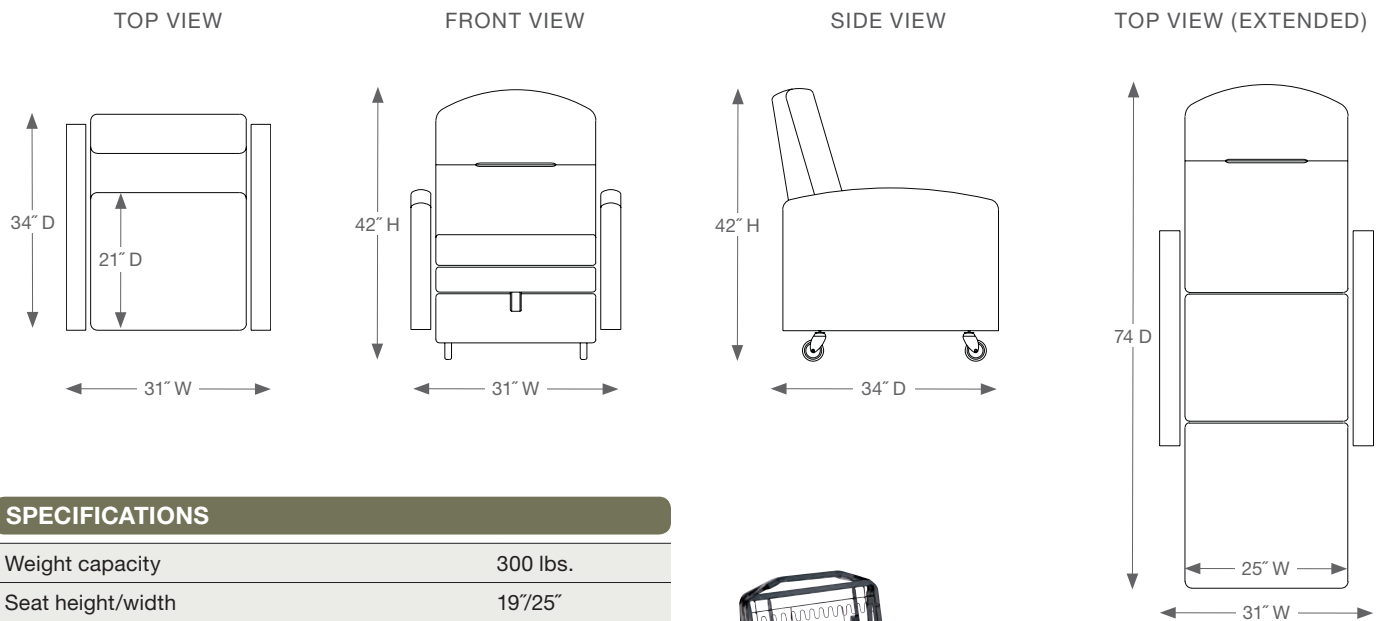
Gray  
T56



Cranberry  
T96

Printed color swatches may not be an exact match to actual fabrics and are enlarged to show detail.

## SPACE REQUIREMENTS



## SPECIFICATIONS

Weight capacity	300 lbs.
Seat height/width	19"/25"
Seat depth	21"
Arm width	2.5"
Overall height	42"
Overall width	31"
Overall length (seated position)	34"
Overall length (sleep position)	74"
Optional wood arm cap width	3"



Steel frame components are powdered-coated to resist corrosion.

## OPTIONS

Oak armrests (2)

CAL 133 fire barrier (3)\*

Vinyl upgrades

Champion, non-standard vinyl (NSV)\*\*

Customer's own material (COM)

PVC-free material

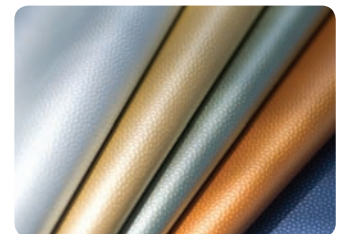
Antimicrobial material

\*Contact Champion for a list of fire-tested vinyls.

\*\*For available patterns and colors for non-standard vinyl, please contact your Champion sales representative.



OAK ARMRESTS



VINYL UPGRADES

**CHAMPION™** Champion Manufacturing, Inc.  
2601 Industrial Parkway, Elkhart, IN 46516

1.800.998.5018  
www.championchair.com

# CHAMPION™

Quality Healthcare Seating Products

## 527 Series

OVERNIGHTER LOVESEAT

RATED UP TO 300 LBS. (EACH SIDE)

Part #527



Shown with optional oak armrests.



Independent operating sides provide versatile seating/sleeping positions.



### STANDARD FEATURES

Nine positions

Independent operations for both sides

Steel and wood construction

Caster wheels (rear locking)

Caster wheels  
for easy conversion



Z-spring  
construction



Designed for patient rooms and areas where overnight visitors are welcome, Champion's Overnighter Loveseat provides daytime seating and overnight sleeping for visitors. The Overnighter loveseat is comfortable, durable and easy to open and close. It offers nine relaxing positions from upright to flat and independent controls allow for independent use of chair functions. Promote a healing environment for patients by keeping loved ones nearby and comfortable.

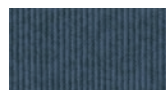
### STANDARD VINYL SELECTION



Natural  
T09



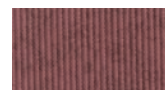
Aquamarine  
T19



Bonnie Blue  
T21



Iced Mint  
T26



Tearose  
T43



Colonial Blue  
T45



Gray  
T56

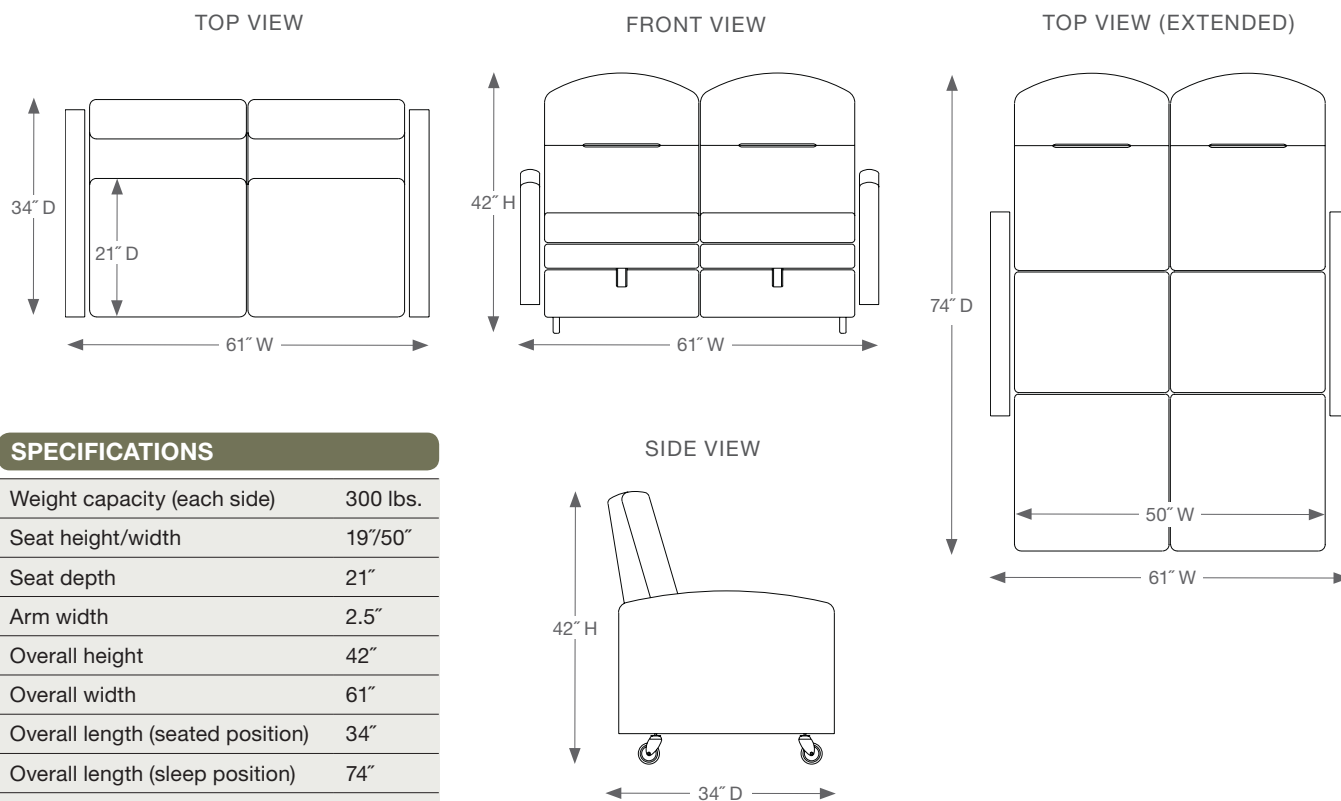


Cranberry  
T96

Printed color swatches may not be an exact match to actual fabrics and are enlarged to show detail.



## SPACE REQUIREMENTS



## SPECIFICATIONS

Weight capacity (each side)	300 lbs.
Seat height/width	19"/50"
Seat depth	21"
Arm width	2.5"
Overall height	42"
Overall width	61"
Overall length (seated position)	34"
Overall length (sleep position)	74"
Optional wood arm cap width	3"

MULTIPLE POSITIONS ALLOW FOR OPTIMAL COMFORT



## OPTIONS

Oak armrests (2)

CAL 133 fire barrier (3)\*

Vinyl upgrades

Champion, non-standard vinyl (NSV)\*\*

Customer's own material (COM)

PVC-free material

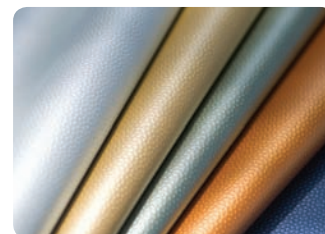
Antimicrobial material

\*Contact Champion for a list of fire-tested vinyls.

\*\*For available patterns and colors for non-standard vinyl, please contact your Champion sales representative.



OAK ARMRESTS



VINYL UPGRADES

**CHAMPION**<sup>TM</sup> Champion Manufacturing, Inc.  
 2601 Industrial Parkway, Elkhart, IN 46516

1.800.998.5018  
[www.championchair.com](http://www.championchair.com)

# CHAMPION™

Quality Healthcare Seating Products

## Task Chairs

CAREGIVER SEATING

RATED UP TO 300 LBS.

Part #505  
Part #506

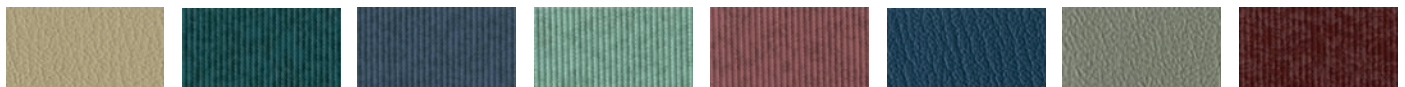


505 Series

506 Series

Champion's Task Chairs come standard with a large, adjustable seat on a 25-inch pedestal. The height adjusts easily with a hand lever under the seat and the foot-ring creates a comfortable place for users to rest their feet. Champion's Task Chairs are ideal for nurse's stations, computer terminals, clinic offices, lab rooms or other applications.

### STANDARD VINYL SELECTION



Natural  
T09

Aquamarine  
T19

Bonnie Blue  
T21

Iced Mint  
T26

Tearose  
T43

Colonial Blue  
T45

Gray  
T56

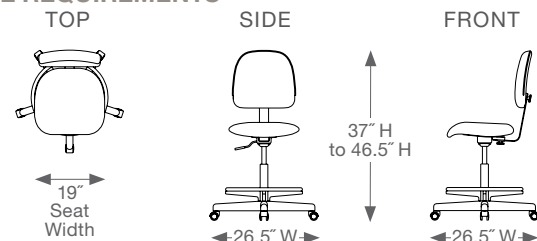
Cranberry  
T96

Printed color swatches may not be an exact match to actual fabrics and are enlarged to show detail.

### STANDARD FEATURES

SERIES #	505	506
Adjustable seat	•	•
Mounts on a 25" pedestal	•	•
Protected backrest frame with vinyl bumper	•	•
Footrest ring	•	•
Height-adjustable armrests		•

### SPACE REQUIREMENTS



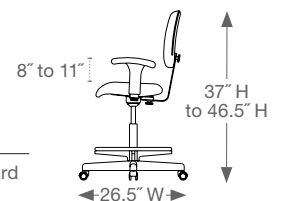
### SPECIFICATIONS

SERIES #	505	506
Weight capacity	300 lbs.	300 lbs.
Overall width (wheel base)	26.5"	26.5"
Overall height	37" - 46.5"	37" - 46.5"
Seat width	19"	19"
Seat height (adjustable)	21" - 28"	21" - 28"
Arm height from seat	N/A	6.5"

### OPTIONS

- Vinyl upgrades
- Champion, non-standard vinyl (NSV)\*
- Customer's own material (COM)
- PVC-free material
- Antimicrobial material

\*For available patterns and colors for non-standard vinyl, please contact your Champion sales representative.



# CHAMPION™

Champion Manufacturing, Inc.  
2601 Industrial Parkway, Elkhart, IN 46516

1.800.998.5018  
www.championchair.com

# CHAMPION™

Quality Healthcare Seating Products

## Clinical Stools

CAREGIVER SEATING

RATED UP TO 300 LBS.

Part #507  
Part #508  
Part #509



### STANDARD FEATURES

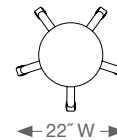
SERIES #	507	508	509
Adjustable seat – hand lever	•	•	
Adjustable seat – foot ring			•
Mounts on a 22" pedestal	•	•	•
Composite base	•		
Polished aluminum base		•	•

### SPECIFICATIONS

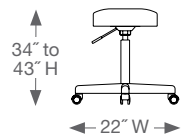
SERIES #	507	508	509
Weight capacity	300 lbs.	300 lbs.	300 lbs.
Overall width – wheel base	22"	22"	22"
Overall height – with backrest	34"-43"	34"-43"	34"-43"
Seat width	15"	15"	15"
Seat height – adjustable	21"-28"	21"-28"	21"-28"

Champion's Caregiver Clinic stools are three all-purpose seats to meet your exact needs. All stools offer a pneumatic cylinder for easily adjustable height options along with either a composite or polished aluminum base. Three and a half inch foam padding, a 15-inch seat and sealed seams provide caregivers with comfort and durability. Optional backrests are available on all clinic stools. Available in a wide range of standard and up-graded vinyls, they can be designed to complement any interior.

TOP VIEW



FRONT VIEW



### OPTIONS

Backrest

Vinyl upgrades

Champion, non-standard vinyl (NSV)\*

Customer's own material (COM)

PVC-free material

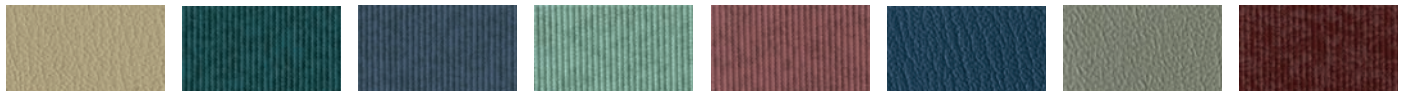
Antimicrobial material

\*For available patterns and colors for non-standard vinyl, please contact your Champion sales representative.

509 Series shown with optional backrest.



### STANDARD VINYL SELECTION



Natural  
T09

Aquamarine  
T19

Bonnie Blue  
T21

Iced Mint  
T26

Tearose  
T43

Colonial Blue  
T45

Gray  
T56

Cranberry  
T96

Printed color swatches may not be an exact match to actual fabrics and are enlarged to show detail.

# CHAMPION™

Champion Manufacturing, Inc.  
2601 Industrial Parkway, Elkhart, IN 46516

1.800.998.5018  
www.championchair.com